

Adroit 507AW-506AW

4x4 Articulated Concrete Transmixer



Adroit 507AW is designed as a 4x4 off-road type articulated transit mixer. 4 wheel drive and articulated chassis provides safe and strong drive in rough terrain. Being produced for difficult ground conditions and smaller diameter tunnels where concrete mixer trucks do not have access. Adroit 507AW offers ideal solution for concrete distribution within the construction site. Particularly, in construction sites with more than one concrete application point, it saves time and lowers operational costs by serving for concrete distribution between application sites.

GENERAL SPECIFICATIONS

- > Led control panel showing fault, warning and driving info
- > Rear view camera
- > Reversing audible and visual warning system
- > Handheld fire extinguisher
- > Form oil system
- > 250 L stainless steel additive tank
- > 12VDC output inside the cabin for vehicle radio
- > Eyebolts and towing hooks to use in loading and transporting the machine

DIMENSIONS AND WEIGHT

ADROIT 507AW

- > Length 10600 mm
- > Width 2400 mm
- > Height 2700 mm
- > Weight 17500 kg
- > Fully loaded weight 35500 kg

ADROIT 506AW

- > Length 10080 mm
- > Width 2350 mm
- > Height 2700 mm
- > Weight 13500 kg
- > Fully loaded weight 28000 kg

CONCRETE DRUM

ADROIT 507AW

- > Geometrical drum volume : 8,8 m³
- > Carrying capacity : 7 m³

ADROIT 506AW

- > Geometrical drum volume : 7,9 m³
- > Carrying capacity : 6 m³
- > Hydraulically driven and adjustable rotating speed
- > Adjustable drum discharge height
- > Hydraulically actuated drum discharge cover

OPERATOR CABIN

- > FOPS - ROPS level 2 certified closed operator cabin
- > Air conditioner inside the cabin
- > Laminated and tempered glasses
- > Heated glasses and side-view mirrors
- > Washable cabin upholstery
- > 3 points contacted, non-slippery stairs
- > Emergency stop button inside the cabin
- > Operator seat
 - Suspended
 - Retractable seat belt
 - Sensor that activates the park brakes when the operator stand up

ENGINE

- > Deutz TCD 2012 L6 2V 155 kW@2400 rpm Diesel engine EU Stage 3A
- > Engine / radiator fluid level warning

EXHAUST SYSTEM

- > Catalytic converter with diesel particle filter

TRANSMISSION

ADROIT 507AW

- > Powershift automatic transmission : Dana TE14 series
- > 3 speed forward and 3 speed reverse
- > 4 wheel drive

ADROIT 506AW

- > Powershift automatic transmission : Dana T32000 series
- > 3 speed forward and 3 speed reverse
- > 4 wheel drive

AXLE SYSTEM

ADROIT 507AW

- > Planetary type Dana 114
- > Oscillating front axle $\pm 8^\circ$

ADROIT 506AW

- > Planetary type Dana 113
- > Oscillating front axle $\pm 8^\circ$

TIRES

- > 14.00 - 24 size heavy duty tires, suitable for underground work

PERFORMANCE

- > 1st gear : 5 km/h
- > 2nd gear : 10 km/h
- > 3rd gear : 27 km/h
- > Max. climb gradient 40%

BRAKE SYSTEM

- > Service brake: Hydraulically powered two circuit oil immersed multidisc brake in both axles
- > Parking brake: S.A.H.R fail safe brake
- > Brake systems test set-up in cabin
- > Handbrake system on cardan shaft

FUEL SYSTEM

- > Tank capacity 150 L
- > Fuel hose securely fixed and isolated from the hot surfaces

HYDRAULIC SYSTEM

- > Tank capacity 140 L
- > Hydraulic filtration, fluid temperature and tank fluid level sensing and warning system

HIGH PRESSURE WATER WASHER

- > Water pump 14 L/min.
- > Max. water pressure 200 bar
- > Hose length 10 m
- > Tank capacity 500 L

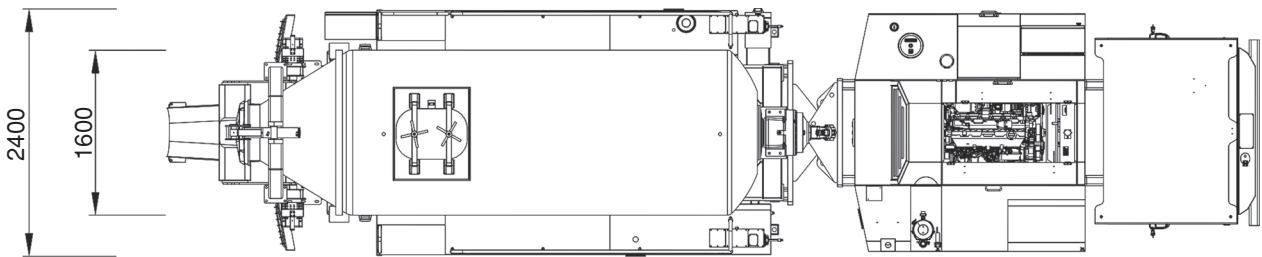
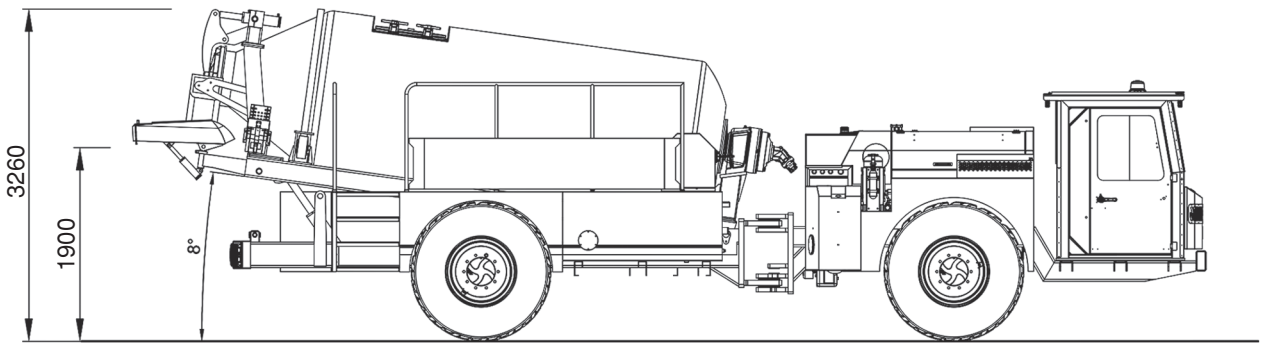
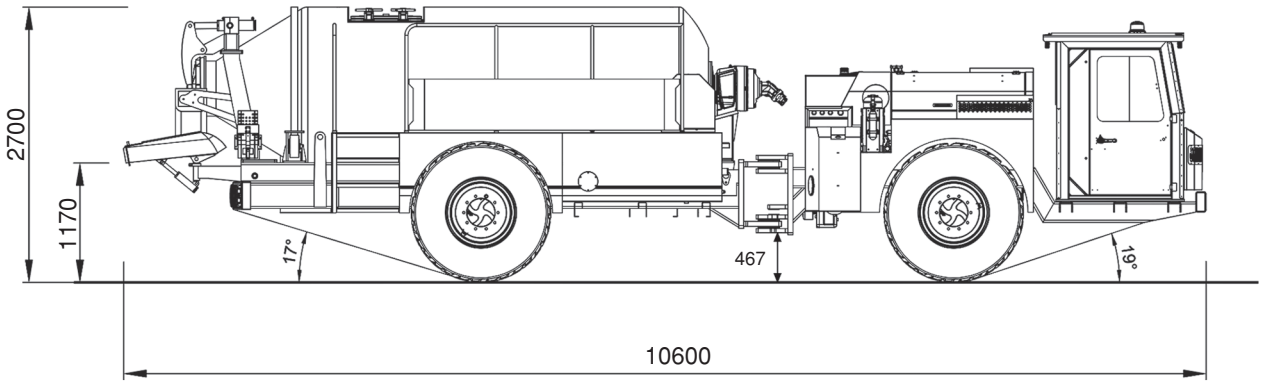
24VDC ELECTRICAL SYSTEM

- > Electrical components : IP65 and above protection grade
- > Battery 2 x 135 Ah
- > Led lighting lamps illuminating the movement direction
- > Led flashing beacon in amber colour
- > Fire - resistant wiring

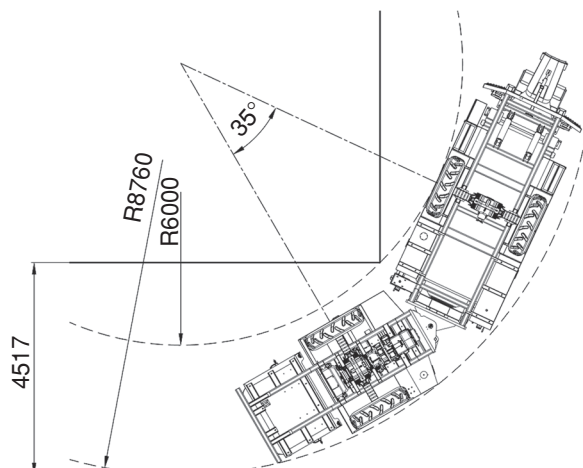
OPTIONAL COMPONENTS

- > Side view camera
- > EU Stage 5 diesel engine
- > Diesel engine fire suppression system

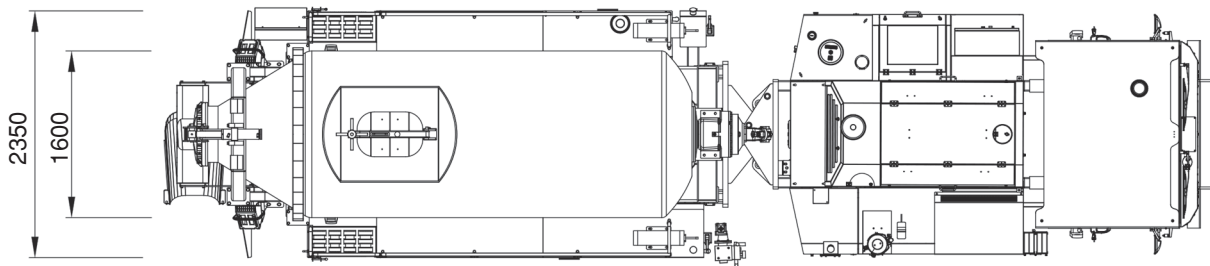
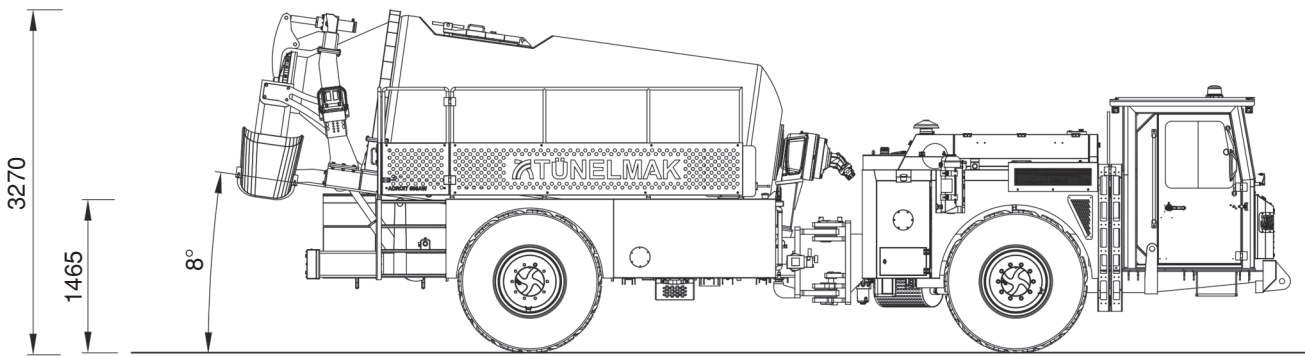
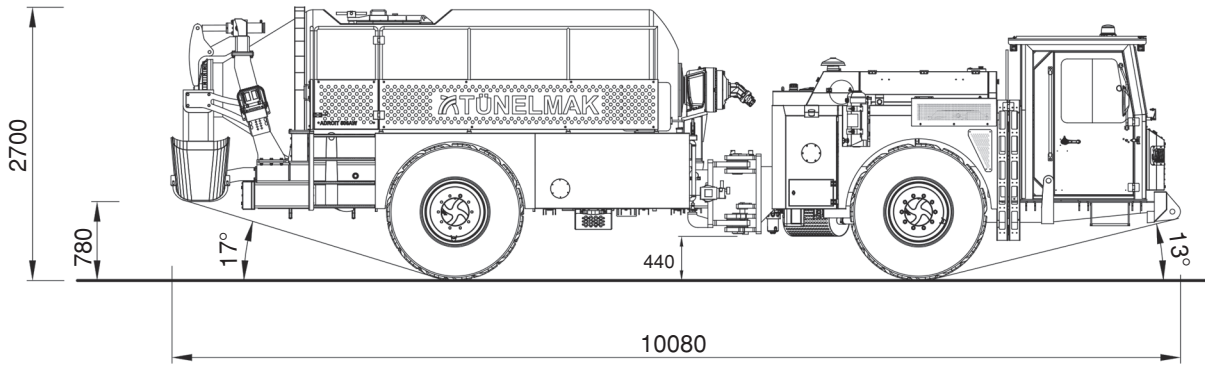
Adroit 507AW 4x4 Articulated Concrete Transmixer
Dimensions of Vehicle



Turning Radius



Adroit 506AW 4x4 Articulated Concrete Transmixer
Dimensions of Vehicle



Turning Radius

